

Technical Consultancy

Specializing in Process Control Valves, Chokes, Automation, Design and Q.A. Systems

Contents:

Goals and commitments

Scope of work undertaken

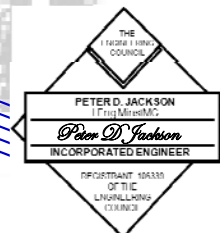
Professional Resume

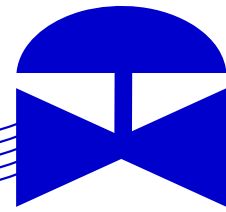
Academic & Technical Certifications

Confidentiality Agreement

Need a Second Opinion ??

**We offer an unbiased Technical
Resource for your Valve related
Applications & Evaluations.**





Goals and Commitments

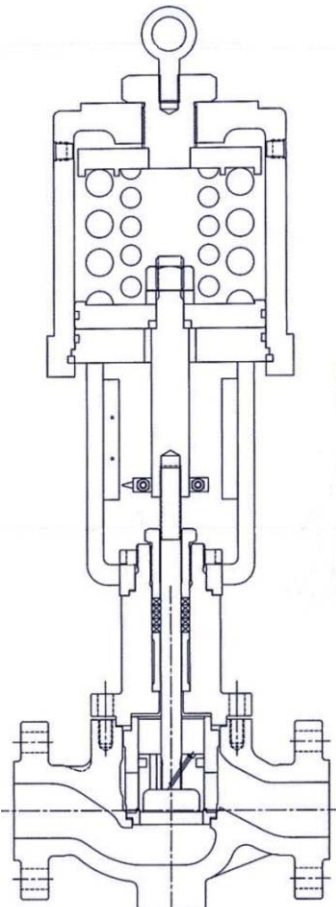
The business development process require that we must first identify the specification and manufacturing availability, then work together to ensure the solutions and operating principles provided by the products represented are completely understood.

We will work with contractors, end users, OEM's and representatives to provide design and application assistance including pricing, at such time proposals are prepared for technical and commercial evaluation.

In addition, we will undertake preliminary evaluation of competitive proposals to ensure technical comparison is compatible, the results of which will be tabulated normally taking the form of a spread-sheet detailing the parameters and noting the variables.

We will work the front end of projects and follow-up at all stages to further enhance the opportunities for specification preferences.

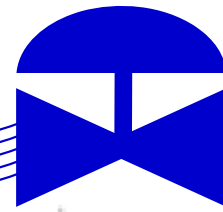
Here custom or 'special purpose' designs are required, we will work to investigate both propriety equipment available through to compete application, sizing and design reviews.



Scope of Work

The scope of work offered is specified, but not necessarily limited to the following:

- ❖ Investigate & resolve severe service applications.
- ❖ Valve and actuator design
- ❖ Manufacture and retrofit existing equipment
- ❖ Design and specification reviews.
- ❖ Bid evaluations – both technical and commercial.
- ❖ Technical and engineering assistance, presentations and proposals.
- ❖ Design and drafting services
- ❖ Quality assurance systems and ISO compliance.



Severe Service Applications

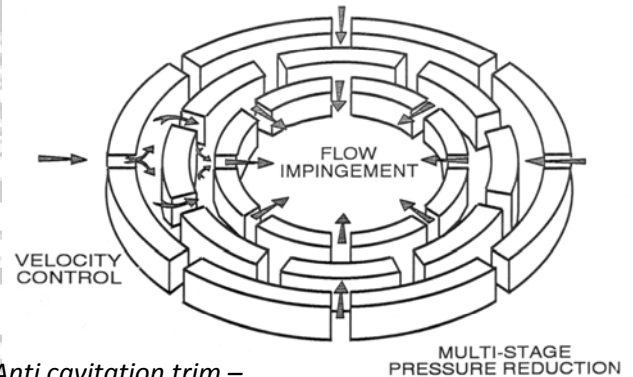
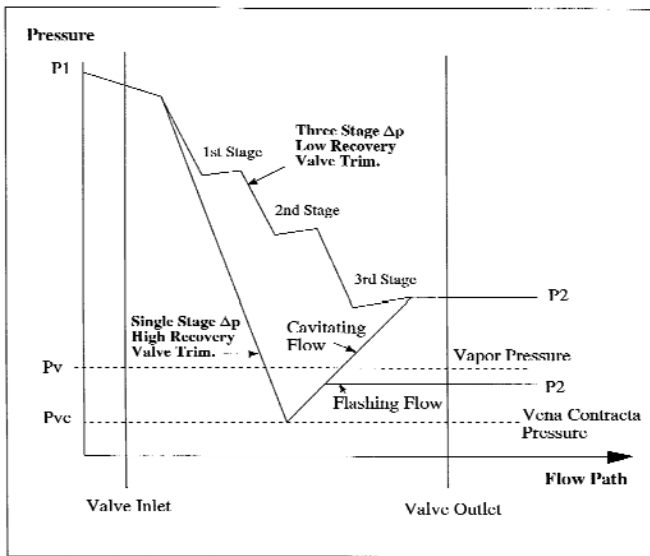
Utilizing the resources from our principals and in-house technical support, *Consult PDJ* offers its customers timely, cost effective products to enhance performance while driving down operating and maintenance costs.

Our rationale is simple: invest in a custom engineered product and enjoy extended performance combined with a dramatic reduction in operation, maintenance and lost production costs caused by failures and 'untimely' shutdowns.



Cavitation damage on boiler feedwater pump minimum recirculation valve trim.

Problem valves are generally those which suffer from extreme service conditions including the effects of erosion, cavitation, flashing, vibration, noise and corrosion.

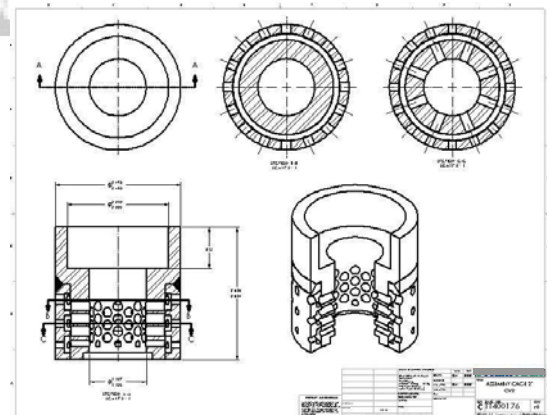


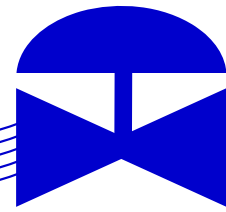
Anti cavitation trim – Concentric Sleeve Technology.

Co-mingling of flow streams promote velocity control & pressure distribution

To overcome these challenges, *Consult PDJ* consider three definitive aspects:

1. Solve problems utilizing multi-stage trim technology.
2. Utilize application guidelines defining design criteria.
3. Ensure correct application of materials.





Academic & Technical Certifications

I.Eng. M.Inst.M.C. – London, U.K.
Full Tech. Cert. (FTC) – C & G Inst. London, U.K.
Parts I, II , III, Mechanical Engineering
C & G Inst. London, U.K.
Member of the Institute of Measurement & Control
Member of the Engineering Council
Member of the Instrument Society of America

PETER D. JACKSON
I Eng MinstMC

Peter D Jackson
INCORPORATED ENGINEER

REGISTRANT 106339

Confidentiality Agreement

Consult PDJ treats all Clients with the same confidentiality as is recognized within the legal profession.

Should instances occur whereby this needs to be binding, we have a Confidentiality Agreement available for interested parties to sign and notarize.